

# INSTALLATION INSTRUCTIONS FOR INSTALLING A DELIVERY PAN REPLACEMENT KIT IN A NATIONAL VENDORS®, CROWN SEVENTY TWO®, 141 SHOWCASE MERCHANDISER

These instructions cover the procedure for installing a Delivery Pan Replacement Kit in a Crown Seventy Two, 141 Showcase Merchandiser.

Read these instructions carefully and thoroughly before installing the Kit. Retain these instructions for installation and part number information. Kit, Part Number 141-2063 contains the following parts:

Part Number	Description	Quantity
141-2061	Front Delivery Pan	1
141-2062	Bottom Panel	1
130-6140	Carriage Bolt	5
9900-081	No.8-32 Nut W/LW	5
141-2064	Installation Instructions * * *	1

## TO INSTALL THE KIT

### A. PARTS REMOVAL

1. Disconnect the Merchandisers electrical Service Cord from the wall receptacle.
2. Unlock and open the Cabinet Door.
3. Remove and retain six Screws and the Delivery Mechanism Assembly from the Merchandiser.
4. Twist two tabs on each side of the Delivery Mechanism Assembly and five tabs in the front of the Delivery Mechanism Assembly so the tabs are aligned with the slots.
5. Spread the Delivery Mechanism Assembly sides apart and remove the Front Delivery Pan from the Delivery Mechanism Assembly. See Figure 1.

6. Remove the Insert Panel from the Delivery Mechanism Assembly. See Figure 1.
7. Remove and retain five Screws and Nuts attaching the Bottom Panel to the Back Panel and remove the Bottom Panel from the Delivery Mechanism Assembly. See Figure 1.

### B. INSTALLATION OF THE KIT

1. Place the replacement Bottom Panel, Part Number 141-2062, included in the Kit, in the Delivery Mechanism Assembly, as shown in Figure 2, and attach using the five Screws and Nuts removed in Step A-7.
2. Fit the replacement Front Delivery Pan, Part Number 141-2061, included in the Kit, in the Delivery Mechanism Assembly as shown in Figure 2. Fit the Tab on each side of the Front Delivery Pan in the slot in the side panels then twist the tabs.
3. Attach the Front Delivery Pan to the Bottom Panel with five Carriage Bolts, Part Number 130-6140 and five No.8-32 Nuts W/LW, Part Number 9900-081, both parts included in the Kit.
4. Install the Delivery Mechanism Assembly in the Merchandiser using the six Screws removed in Step 3.
5. Close and lock the Cabinet Door.
6. Connect the Merchandisers electrical Service Cord to a properly polarized wall receptacle.

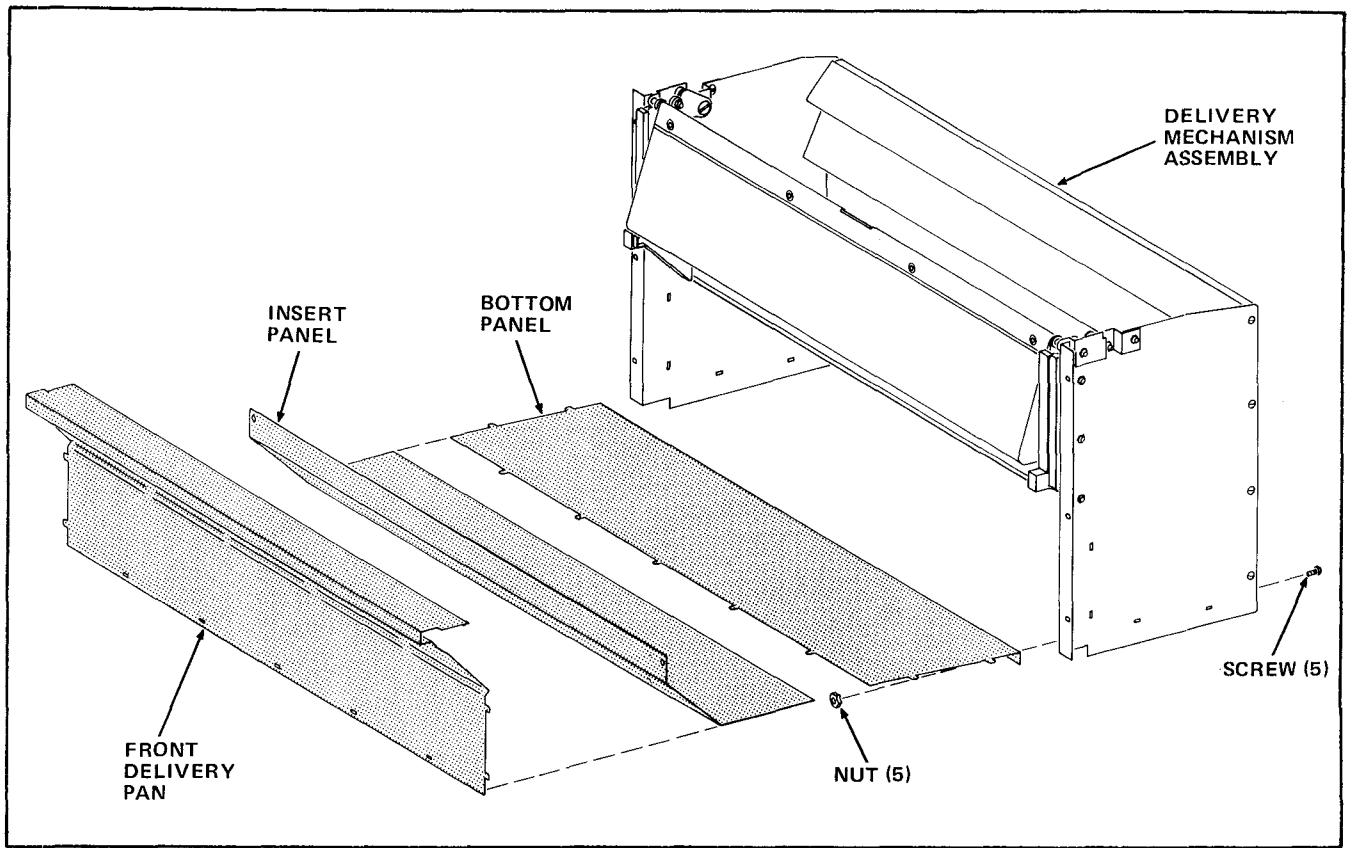


FIGURE 1

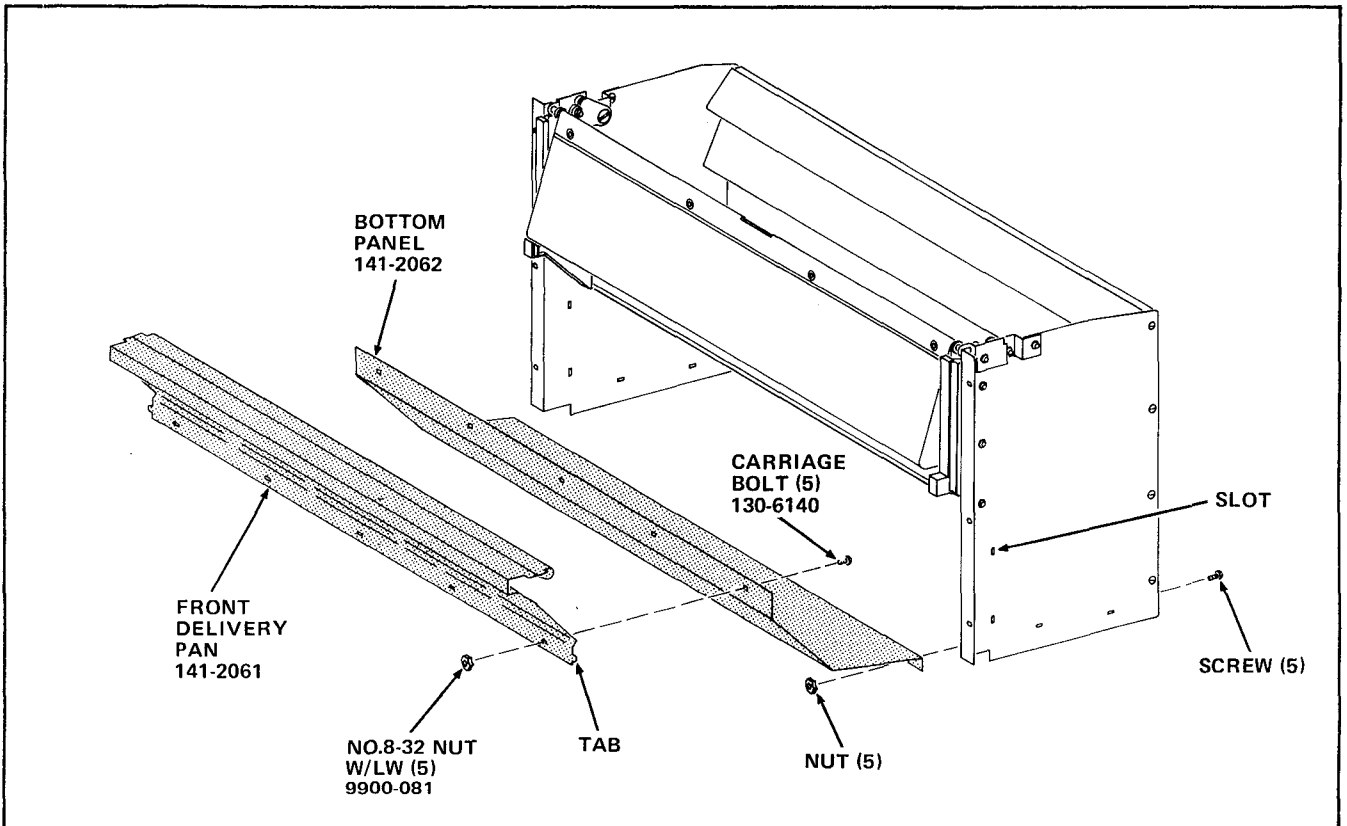


FIGURE 2